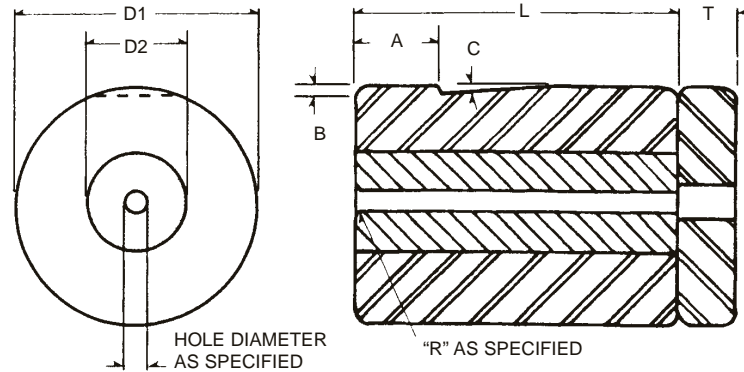


CARBIDE DIES



TYPE B STRAIGHT HOLE

MACHINE	CODE NO.	D1	L	T	D2	A	B	C
1/8 National S.S.	12DA-C	.999	1-1/8	1/4	.495	—	—	—
1/8 Hartford	12DA-C	.999	1-1/8	1/4	.495	—	—	—
1/8 Hartford	12DA-2C	.999	1-1/4	1/8	.495	—	—	—
1/8 National L.S.	12DA-1C	.999	1-1/2	1/4	.495	—	—	—
1/8 Headmaster	12DA-3C	1.124	1	3/8	.495	5/16	3/32	10°
0 Waterbury Toggle	12DA-4C	1.124	7/8	1/4	.495	5/16	3/32	5°
25 National H.S.	12DA-5C	1.249	1-1/2	1/4	.495	—	—	—
1 Waterbury Toggle	18DA-15C	1.249	1-1/4	3/8	.495	7/16	1/16	5°
3/16 HiPro	18DA-9C	1.249	1-1/4	3/8	.495	5/16	5/64	5°
3/16 Headmaster	18DA-16C	1.249	1-1/2	3/8	.495	5/16	5/64	5°
3/16 National S.S.	18DA-1C	1.249	1-1/2	1/4	.495	1/2	3/32	4°
3/16 National L.S.	18DA-17C	1.249	2-1/2	1/4	.495	11/16	5/32	15°
SP-01 Sacma	18DA-C	1.249	1-5/8	—	.495	1/2	3/64	4°
3/16 National H.S. DSSD	18DA-18C	1.499	1-1/2	1/4	.620	9/16	—	15°
3/16 Waterbury	18DA-3C	1.499	2-1/2	1/2	.620	7/8	5/32	10°
H20A Nakashimada	18DA-3C	1.499	2-1/2	21/32	.620	7/8	5/32	10°
3/16 Hartford	25DA-C	1.499	2	1/4	.620	9/32	3/32	4°
1/4 National S.S.	25DA-C	1.499	2	1/4	.620	9/32	3/32	4°
1/4 Sacma	25DA-C	1.499	2	1/4	.620	9/32	3/32	4°
2 Waterbury Toggle	25DA-17C	1.499	2	1/2	.620	9/16	1/16	5°
SP-11 Sacma	25DA-29C	1.499	2-1/2	—	.620	9/32	3/32	4°
3-300 Hartford	25DA-29C	1.499	2-1/2	—	.620	9/32	3/32	4°
1/4 National L.S.	25DA-19C	1.499	3-1/8	1/4	.620	13/16	3/16	15°
3/16 National L.S. DSSD	18DA-19C	1.624	2-1/2	1/4	.620	3/4	—	15°
1/4 National H.S. DSSD	25DA-20C	1.749	2	1/2	.744	5/8	—	15°
1/4 Waterbury	25DA-18C	1.999	2-7/8	5/8	.744	1-1/16	3/16	10°
1/4 Super HiPro	25DA-21C	1.999	2-1/8	3/4	.744	3/8	1/8	—
5/16 HiPro	31DA-C	1.999	2	1/2	.744	3/8	1/8	10°
SP-21 Sacma	31DA-18C	1.999	3-1/2	—	.744	3/8	1/8	10°
5/16 National S.S.	31DA-1C	2.124	2-3/8	3/8	.992	7/16	3/16	10°
5/16 National L.S.	31DA-9C	2.124	3-3/8	3/8	.992	11/16	13/64	15°
5/16 Hartford	31DA-1C	2.124	2-3/8	3/8	.992	7/16	3/16	10°
45 National S.S. DSSD	31DA-12C	2.124	3	3/8	.992	5/8	—	15°
5/16 National H.S. DSSD	31DA-13C	2.374	2-1/2	1/2	.992	3/4	—	15°
3/8 National S.S.	37DA-2C	2.436	2-3/4	1/2	1.118	1	3/32	4°
3/8 National L.S.	37DA-3C	2.436	3-3/4	1/2	1.118	7/8	15/64	15°
5/16 Waterbury	31DA-4C	2.499	4	5/8	1.118	1-1/4	3/16	10°
56 National L.S. DSSD	37DA-5C	2.499	3-1/4	1/2	1.118	3/4	—	15°
3/8 Waterbury	37DA-C	2.999	4	3/4	1.118	1-1/2	1/4	10°
68 National L.S. DSSD	37DA-6C	2.999	4	3/4	1.118	1	—	15°

WARNING

Any heading punch may break or shatter under improper use. Government regulations require use of safety glasses and other appropriate safety equipment at all times in the vicinity of use.