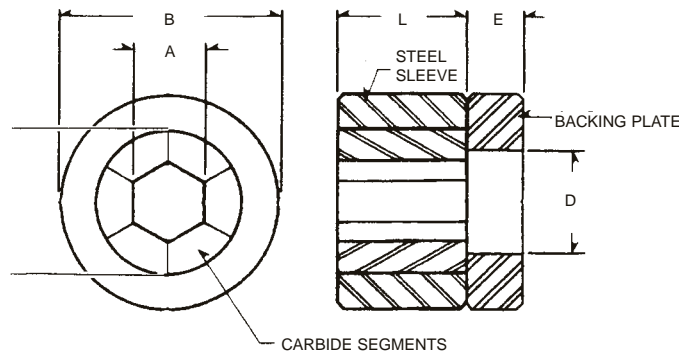


CARBIDE SEGMENTED HEXAGON WASHER HEAD INSERTS



SLEEVED ASSEMBLY - segments assembled in Retaining Sleeve
- ready for pressing into casing

FREE FLOW TYPE

HEX SIZE	PUNCH NO.	A	B	L	C	BACKING PLATE NO.	D	E
3/16	CSHI-3/16	.183	.625	.313	.500	BP1000-16	5/16	.313
1/4	CSHI-1/4	.246	.742	.438	.500	BP1000-4	3/8	.313
5/16	CSHI-5/16	.307	.742	.438	.560	BP1000-17	7/16	.313
3/8	CSHI-3/8	.369	.993	.438	.718	BP1000-6	1/2	.563
7/16	CSHI-7/16	.430	.993	.500	.812	BP1000-8	1/2	.500
1/2	CSHI-1/2	.493	1.244	.500	.950	BP1000-12	5/8	.500
9/16	CSHI-9/16	.554	1.244	.500	1.000	BP1000-12	5/8	.500
5/8	CSHI-5/8	.612	1.244	.500	1.000	BP1000-20	3/4	.500
3/4	CSHI-3/4	.737	1.495	.750	1.250	BP1000-23	1	.250

METRIC FREE FLOW TYPE

HEX SIZE(mm)	PUNCH NO.	A	B	L	C	BACKING PLATE NO.	D	E
5	CSHI-5MM	.193	.625	.313	.500	BP1000-16	5/16	.313
5.5	CSHI-5.5MM	.213	.742	.438	.500	BP1000-2	5/16	.313
6	CSHI-6MM	.232	.742	.438	.500	BP1000-2	5/16	.313
7	CSHI-7MM	.270	.742	.438	.560	BP1000-4	3/8	.313
8	CSHI-8MM	.310	.742	.438	.560	BP1000-4	3/8	.313
10	CSHI-10MM	.388	.993	.438	.718	BP1000-6	1/2	.563
12	CSHI-12MM	.466	.993	.500	.812	BP1000-19	5/8	.500
13	CSHI-13MM	.504	1.244	.500	.950	BP1000-12	5/8	.500
15	CSHI-15MM	.583	1.244	.500	1.000	BP1000-20	3/4	.500
17	CSHI-17MM	.662	1.244	.625	1.125	BP1000-22	3/4	.500
18	CSHI-18MM	.703	1.495	.750	1.250	—	—	—

FLANGE and CONFINED washer head inserts are available on request.
COMPLETE CASED ASSEMBLIES available to you specifications.

WARNING

Any heading punch may break or shatter under improper use. Government regulations require use of safety glasses and other appropriate safety equipment at all times in the vicinity of use.