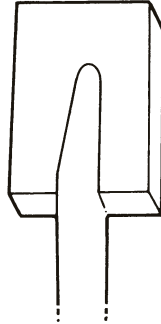


CARBIDE REAMERS

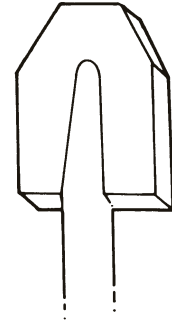
UNGROUND

1/8	.078 or 3/32 or .085
5/32	7/64
3/16	1/8 or 9/64
7/32	5/32
1/4	3/16
9/32	7/32
5/16	7/32
11/32	1/4
3/8	9/32
7/16	5/16
1/2	11/32
9/16	3/8
5/8	7/16
3/4	1/2

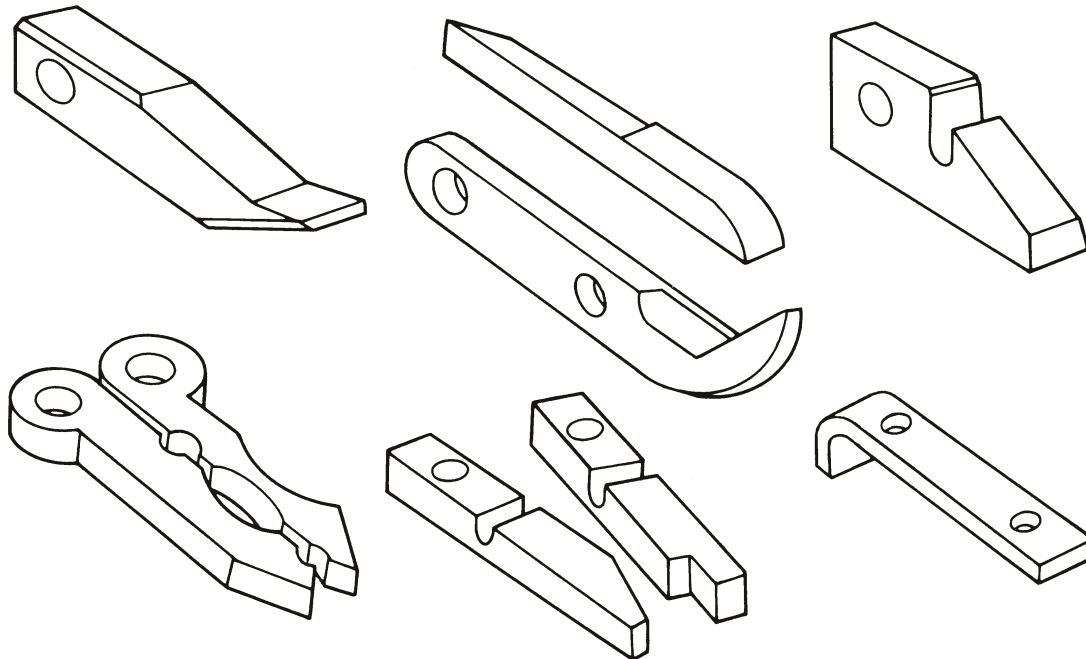


FINISHED Ready to Use

Reaming Size Tolerance + .0003-.0003	SHANK	TIPS
.90-.127	3/32x4	1/32-1/4
.128-.155	7/64x4	3/64x1/4
.156-.190	1/8x4	1/16-5/16
.191-.250	3/16x5	.072-3/8
.251-.315	7/32x5	3/32-3/8
.316-.380	9/32-x5	1/8-7/16
.381-.440	5/16-x6	1-1/8-1/2
.441-.500	11/32x6	1/8-1/2



FINGERS



PRICES FURNISHED UPON REQUEST